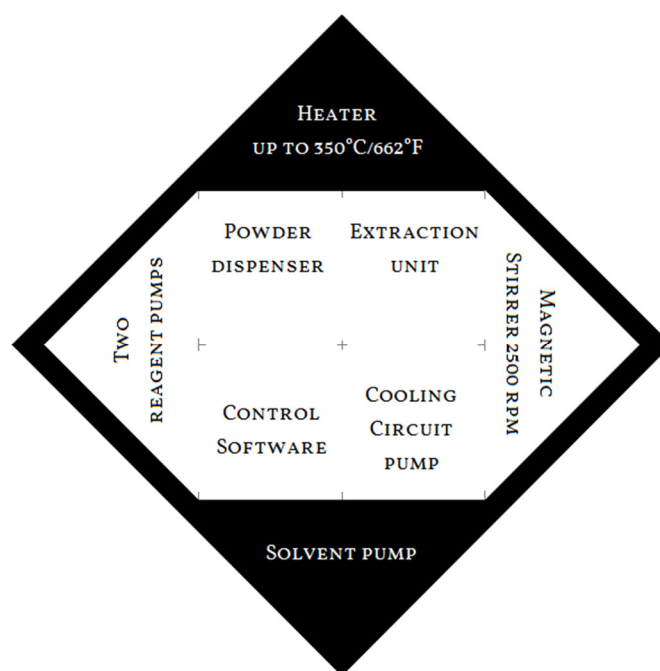


THIS IS A SUMMARY OF THE MAIN TECHNICAL CAPABILITIES WE CAN OFFER. DUE TO PROJECT COMPLEXITY, WE WILL BE ABLE TO PROVIDE A MORE DETAILED TECHNICAL WHITEPAPER INCLUDING ONLINE PLATFORM & NETWORK FUNCTIONALITY ANY TIME SOON.

## OUR VISION

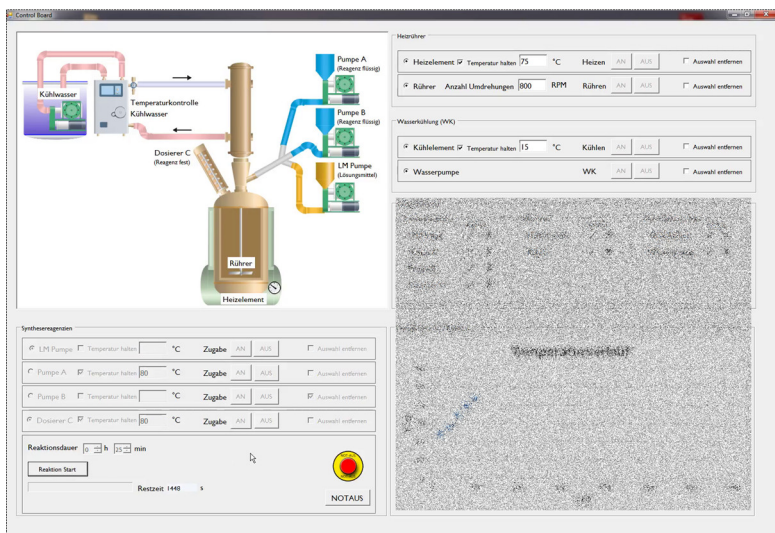
OUR GOAL IS TO OFFER POWERFUL, INEXPENSIVE AND COMPACT LAB AUTOMATION SYSTEMS AS A GOOD ALTERNATIVE TO BULKY AND OVERPRICED COMMERCIALY AVAILABLE SYSTEMS. AS WE ARE RELIANT ON THE ASSISTANCE OF OUR SUPPORTERS WE WANT TO PROVIDE OUR PRODUCTS FOR UNRIVALLED PRICES BY EXCLUDING PAST AND FUTURE DEVELOPMENT COSTS INTENTIONALLY FROM THE FINAL PRODUCT PRICE. FIRST CHECKPOINT WILL BE REACHING THE SOFT CAP. AT THIS POINT WE ASPIRE THE MARKET LAUNCH OF THE AUTOMATED SYNTHESIS APPARATUS IN THE BASIC VERSION. IT WILL INCLUDE THE MODULES SEEN BELOW.



THE PRODUCTION OF LARGER QUANTITIES INVOLVING PRELIMINARY NEGOTIATION AND BULK DISCOUNT ALLOWS US TO ESTIMATE THE PRICE RANGE. WE WILL PRESUMABLY OFFER OUR AUTOMATED SYNTHESIS APPARATUS IN THE BASIC VERSION BETWEEN 2000 AND 3000 € (EUR).



## CONTROL SOFTWARE



OUR CONTROL SOFTWARE IS CURRENTLY IN THE UN-RELEASED ALPHA VERSION. THIS SOFTWARE IS ENTIRELY RESPONSIBLE FOR THE FULLY AUTOMATED PROCESS BY REGULATING VARIABLES AS THE REACTION TEMPERATURE, STIRRING SPEED, ADDITION OF ORGANIC SOLVENTS, REAGENT DOSING AS A LIQUID OR POWDER. MOREOVER, THERE IS ALSO THE OPTION TO MAINTAIN A SPECIFIC TEMPERATURE WITHIN REAGENT ADDITION DURING AN ENDO OR

EXOTHERMIC PROCESS. COOLING CIRCUIT PUMP OFTEN USED FOR DISTILLATION OR REACTIONS UNDER REFLUX CONDITIONS IS ALSO CONTROLLABLE. INTEGRATED MONITORING CAN ACT IMMEDIATELY IN THE EVENT OF ANY INCIDENT BY TRANSMITTING EMERGENCY-OFF SIGNAL TO THE CORRESPONDING MODULE.

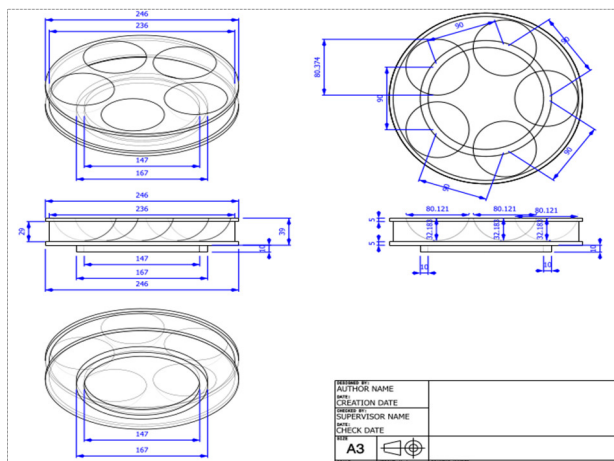
OUR SOFTWARE PACKAGE IS CURRENTLY LIMITED TO WINDOWS COMPUTERS. WE PLAN TO REENGINEER AND EXPAND ITS FUNCTIONS AND DEVELOP A MORE SOPHISTICATED VERSION RUNNING ON LINUX DISTRIBUTIONS AS ON MAC. AS SHOWN IN THE TABLE (PAGE 4) THERE WILL BE SEVERAL MODULE UPDATES WHICH REQUIRES SOFTWARE ADAPTION. THE SOFTWARE IS INTENDED TO BE FREE OF CHARGE.



# GCR SYSTEMS

LAB AUTOMATION TECHNOLOGY MADE IN GERMANY

## GCR MODULES

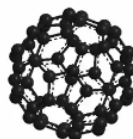


WE OFFER A SELECTION OF MODULES FOR YOUR LAB AUTOMATION. IN THE TECHNICAL SPECIFICATIONS TABLE OVERVIEW (PAGE 4) MODULES (UNTAGGED) HAVE ALREADY BEEN DEVELOPED AND TESTED. THOSE HIGHLIGHTED IN RED WILL BE POWERFUL ADD-ONS AND INTENDED FOR IMPLEMENTATION NEXT TO ONGOING OPTIMIZATION OF EXISTING UNITS. THE CHOICE OF MATERIALS IS NOT ALWAYS CONNECTED TO FIND THE BEST PRICE-PERFORMANCE RATIO. SAFETY ALWAYS COMES FIRST.

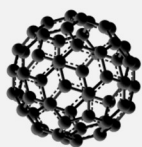
## THE NETWORK

GCR SYSTEMS IS PLANNING TO CREATE A NETWORK WITH GCR TOKEN AS ITS OFFICIAL CURRENCY WITH POSSIBILITIES SHORTLY DESCRIBED IN THE FOLLOWING. WITH GCR TOKENS YOU CAN EITHER PURCHASE, SELL OR OFFER FREE OF CHARGE YOUR PRODUCTS, INTELLECTUAL PROPERTY AND SERVICES ON OUR EXCHANGE PLATFORM OR OFFER E.G. YOUR KNOWLEDGE, CALIBRATION DATA, PUBLISH YOUR RESEARCH AND MUCH MORE ON OUR CHEMISTRY

DATABASE. YOU WILL ALSO HAVE THE PRIVILEGE TO UPGRADE YOUR STATUS BY REGISTRATION AS A LICENSED RETAILER TO BENEFIT FROM DISCOUNTS.



# GCR SYSTEMS



## TECHNICAL SPECIFICATIONS

MODULE	TECHNICAL DETAILS	CONFIGURABLE	TEMPERATURE CONTROLLED DOSING	LOG DATA	ON HAND
HEATER	500 WATT MAX 350°C / 662 °F	✓		✓	✓
CHILLER	50 WATT -50°C / -58°F	✗		✗	✗
VACUUM	100 MBAR	✗		✗	✓
GAS (INERT; HYDROGEN)	MAGNETIC GAS VALVE	✗		✗	✓
MAGNETIC STIRRER	MAX 2500 RPM 15 LITERS	✓		✗	✓
SOLVENT PUMP	17 WATT MAX 0.6 L/MIN	✓	✓	✗	✓
REAGENT PUMP A	17 WATT 1 mL/MIN – 0.6 L/MIN	✓	✓	✗	✓
REAGENT PUMP B	17 WATT 1 mL/MIN – 0.6 L/MIN	✓	✓	✗	✓
POWDER DISPENSER	5 WATT 4 CM <sup>3</sup> VOLUMETRIC CAPACITY	✓	✓	✗	✓
COOLING CIRCUIT PUMP	5 WATT 400 L/H	✓		✗	✓
CRYOSTAT FOR COOLING CIRCUIT	40 WATT -50°C / -58°F	✗		✗	✗
EXTRACTION UNIT	160 M <sup>3</sup> /HOUR 35-40 DB	✓		✗	✓
BATTERY BACKUP	0.8-1.0 KWH (CONVERTED)	✗		✗	✗
AUTOSTART	DATA TRANSMISSION BY RFID TECHNOLOGY	✗		✗	✗
REMOTE	REMOTE ACCESS & CONTROL	✗		✗	✗
MULTISYNTHESIS	FLEXIBLE & CONFIGURABLE PARALLEL SYNTHESIS	✗		✗	✓